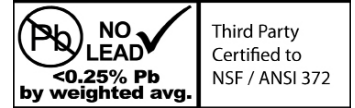


08QTWH(P)NL SERIES NO LEAD NON-FREEZE LAWN FAUCETS WITH SELF DRAINING VACUUM BREAKER

1/4 TURN



SPECIFICATION:

- Threads conform to ANSI/ASME B1.20.1
- Sweat connections conform to ANSI B16.18
- PEX connections conform to ASTM F1807
- Max Pressure Rating: 125 PSI
- Max Temperature Rating: 140°F (60°C)
- Hose thread outlet 3/4" GHT
- Integral anti-siphon vacuum breaker
- Chrome plated no lead brass body and tube
- Black cast hand wheel
- Inlet cartridge has built in spring loaded check valve for backflow prevention

CERTIFICATION:

- NSF/ANSI Standard 61 & 372 Certified
- CSA Standard B125.1 Certified
- ASSE Standard 1019 Certified



MATERIAL LIST	
Part Name	Material
Handle Bolt	No Lead Brass
Name Plate	Aluminum
Handwheel	Aluminum
Body	No Lead Brass
Bonnet	No Lead Brass
Washer (2)	Stainless Steel
Packing	Rubber NBR
Stem	No Lead Brass
Set Screw	Stainless Steel
Cartridge	No Lead Brass
O-Ring (2)	Viton
V.B. Cover	ABS Chrome Plated
V.B. Body	Celcon POM
V.B. Disc	Celcon POM
V.B. Packing	Rubber NBR
O-Ring	Rubber NBR
Adapter	No Lead Brass
Tube	No Lead Brass

BOSHART
INDUSTRIES

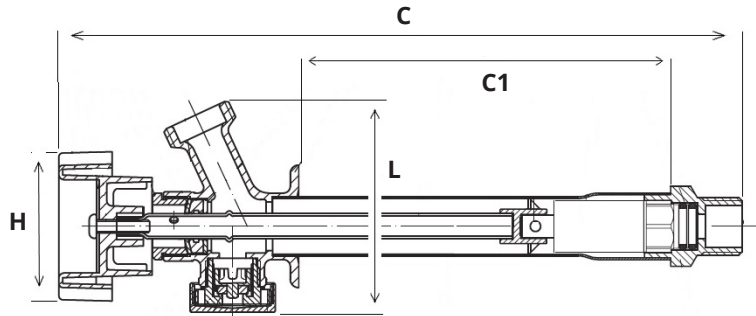
© 2020 Boshart Industries Inc. All Rights Reserved.

25 Whaley Avenue, PO Box 310, Milverton, ON CANADA N0K 1M0
Tel: 800-561-3164

boshart.com ♦ blog.boshart.com

BII-08QTWH(P)NL-0720(2159)

08QTWH(P)NL SERIES NO LEAD NON-FREEZE LAWN FAUCETS WITH SELF DRAINING VACUUM BREAKER 1/4 TURN



DIMENSIONS

Part No.	Inlet Connection	H		C		C1		L		Weight grams
		inches	mm	inches	mm	inches	mm	inches	mm	
08QTWH05-040NL	1/2" MPT x CxC	3.19	81.00	8.78	222.80	4.00	101.60	3.20	81.30	520
08QTWH05-060NL	1/2" MPT x CxC	3.19	81.00	10.78	273.60	6.00	152.40	3.20	81.30	560
08QTWH05-080NL	1/2" MPT x CxC	3.19	81.00	12.78	324.40	8.00	203.20	3.20	81.30	585
08QTWH05-100NL	1/2" MPT x CxC	3.19	81.00	14.78	375.20	10.00	254.00	3.20	81.30	615
08QTWH05-120NL	1/2" MPT x CxC	3.19	81.00	16.78	426.00	12.00	304.80	3.20	81.30	650
08QTWH05-140NL	1/2" MPT x CxC	3.19	81.00	18.79	476.80	14.00	355.60	3.20	81.30	680
08QTWH07-100NL	3/4" MPT x 1/2" FPT	3.19	81.00	14.78	375.20	10.00	254.00	3.20	81.30	635
08QTWH07-120NL	3/4" MPT x 1/2" FPT	3.19	81.00	16.78	426.00	12.00	304.80	3.20	81.30	670
08QTWH07-140NL	3/4" MPT x 1/2" FPT	3.19	81.00	18.79	476.80	14.00	355.60	3.20	81.30	700
08QTWH05P-080NL	1/2" PEX	3.19	81.00	12.78	324.40	8.00	203.20	3.20	81.30	585
08QTWH05P-100NL	1/2" PEX	3.19	81.00	14.78	375.20	10.00	254.00	3.20	81.30	615
08QTWH05P-120NL	1/2" PEX	3.19	81.00	16.78	426.00	12.00	304.80	3.20	81.30	650
08QTWH05P-140NL	1/2" PEX	3.19	81.00	18.79	476.80	14.00	355.60	3.20	81.30	680

BOSHART
INDUSTRIES

© 2020 Boshart Industries Inc. All Rights Reserved.

25 Whaley Avenue, PO Box 310, Milverton, ON CANADA N0K 1M0
Tel: 800-561-3164

boshart.com ♦ blog.boshart.com

BII-08QTWH(P)NL-0720(2159)